

MIPS INSTRUMENT APPROACH CHART

AD ELEV 681

HPMA ILS or LOC RWY 01L GARDERMOEN (ENGM)

ATIS 126.125	GARDERMOEN APP 120.450 W	DIRECTOR 118.475 E	FINAL 136.400	GARDERMOEN TWR 257.800	GROUND 121.605	337.975	
LOCALIZER/DME OBW 110.300 CH40X	APP COURSE 013°	GS INTCP ALT 3500	GS 3.0°	DA 855	THR ELEV 655	ALS 720 m	LDA 11811

CAUTION:

- CIRCLING EAST OF RWY 01R/19L NOT AUTHORIZED

NOTE:

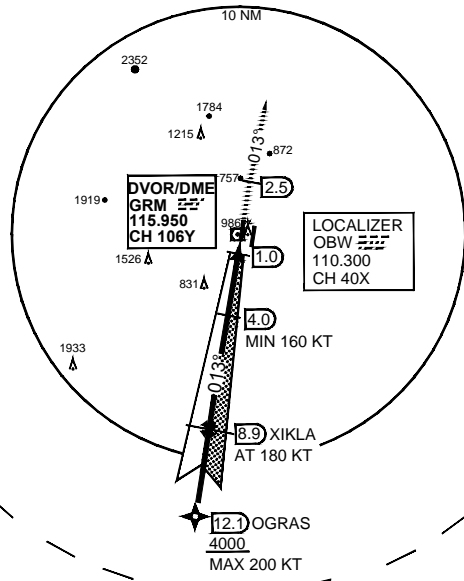
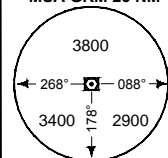
- b) DME REQUIRED

NOTE:

- c) RADAR VECTORS TO FINAL REQUIRED



MSA GRM 25 NM



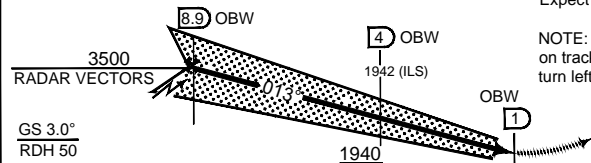
SAFE ALT 100NM 9700

MISSED APPROACH

TA 7000

Climb on RWY track 013° to 5000 ft. Expect vectors.

NOTE: In case of RCF: Climb to 5000 ft on track 013°. After passing 20 DME OBW, turn left DCT GRM for new approach.



CAT 3 8.7 THR ELEV 670

CATEGORY	HPMA
S-ILS 01L	855 -800 200 (200-0.8/1.2)
S-LOC 01L	960 -1200 305 (400-1.2/1.6)
● CIRCLING	2040 - 3.2 1359 (1400-3.2)

HPMA ILS or LOC RWY 01L

60°12.16' N
011°05.03' E

GARDERMOEN (ENGM)

CHANGES: GND FRQ MIPS

RNOAF 21 JUN 2018